

HWA4500
C-Band DWDM VGA without Mid-Stage Access
Next-Generation Variable Gain EDFA
Technical Specification

CONTENT

1.0 PRODUCT DESCRIPTION.....	1
2.0 PRODUCT FEATURES.....	2
3.0 MAIN APPLICATION.....	2
4.0 RELATED PRODUCT.....	2
5.0 TECHNICAL INDEX.....	3
6.0 SOFTWARE FUNCTIONS, MOITORS AND ALARMS.....	4
7.0 OPTICAL ELECTRICAL SCHEMATIC.....	5
8.0 CHASSIS LENGTH.....	6
9.0 RODUCT SERISE.....	7
10.0 MODEL EXPLANATION.....	8

1.0 PRODUCT DESCRIPTION

Huatai HWA4500 series is a next-generation variable gain EDFA, which with the most excellent performance and most complete functions in the market. It adopts nowadays most excellent optical performance, most advanced electronic technology and most complete software functions. Remarkable transient suppression control technology and heat management control technology let many complicated optical functions achieved. It is the most versatile multifunction optical amplifier in the market.

This next generation variable gain amplifier module is composed with two stages amplifier: variable gain pre-amplifier (PA) and variable gain booster amplifier (BA). The gain of these two stages amplifier can be independently set in a certain range. There is a connector between the two stages amplifier, which used for mid-stage access, such as optical Add-Drop module (OADM), dispersion compensation module (DCM) and others optical modules.

HWA4500 is a device without Mid-stage Access, which according with various communication technology requirements of C-Band 44 or 88 channels DWDM system, widely used in long distance and ultra-long distance transmission network. Since its complete functions, it can be used as line amplifier, pre-amplifier, booster amplifier.

2.0 PRODUCT FEATURES

- Next-generation Variable Gain Amplifies
- Without Mid-stage Access Version
- Accord with the various communication technology requirements of C-Band 44 or 88 channels DWDM system
- Adopt latest total integration electronic transient control technology
- Adopt digital control technology which can adapt to heat management
- Saturation output power optional: 18dBm, 20dBm, 23dBm, 24dBm
- AGC, APC, ACC working mode
- Optical monitoring channels optional: OSC Add/Drop
- Carrier-class security and reliability, and network management function
- The LCD, LED at the front panel offers the work index and warning alarm of all equipment.
- Standard RS232 communication interface.
- 10/100M Ethernet interface supports SNMP and WEB remote network management.
- 1+1 powers supply back up optional, hot-plug function available
- Low power consumption
- Excellent P/P ratio in area

3.0 MAIN APPLICATION

- Long distance and Ultra-long distance network among the cities
- Line amplifier, pre-amplifier, booster amplifier

4.0 RELATED PRODUCT

- HWA4700 (With MSA Variable Gain EDFA)
- VGA4500-FM06 (Without MSA Variable Gain EDFA Module)
- VGA4700-FM06 (With MSA Variable Gain EDFA Module)
- HWA4400 (Fixed Gain Amplifier)

5.0 TECHNICAL INDEX

Performance			Index			Supplement
			Min.	Typ.	Max.	
Optical feature	Operating wavelength range (λ)	(nm)	1529.16		1563.86	ITU 88CH
	Input power range	(dBm)	-35		+3	HWA4518
			-35		+3	HWA4520
			-40		0	HWA4523
			-40		0	HWA4524
	Gain range	(dB)	13		21.5	G21Typ
			18		30	G30Typ
			23		35	G35Typ
			29		41	G40Typ
			12		26	G25Typ
	Max. output power	(dBm)			18.5	HWA4518
					20	HWA4520
					23	HWA4523
					24	HWA4524
	Gain flatness	(dB)		0.7	1.0	Peak-to-peak
	Noise figure	(dB)		5.0	5.9	Max gain
	Polarization dependence loss	(dB)			0.3	
Polarization dependence gain	(dB)			0.3		
Polarization mode dispersion	(ps)			0.3		
Pump power leakage	(dBm)			-30		
OSC wavelength ranges ¹⁾	(nm)	1500	1510	1520		
Return loss ²⁾	(dB)	40			UPC	
Transient over /under shoot	(dB)	1.5		1.0	16dB Add/Drop	

	Transient offset	(dB)			0.5	16dB Add/Drop
General feature	SNMP interface		RJ45			
	Serial interface		RS232			
	Power supply	(V)	90		265	220VAC
			30		72	-48VDC
	Power consume	(W)			25	
	Operating temp.	(°C)	-5		70	
	Storage temp.	(°C)	-40		+85	
	Operating relative humidity	(%)	5		95	
	Size (W)×(D)×(H)	(mm)	483×205×44			1RU

Note: 1, 2, 3: these optic performance are typical application, can be customized according to customers' requirements.

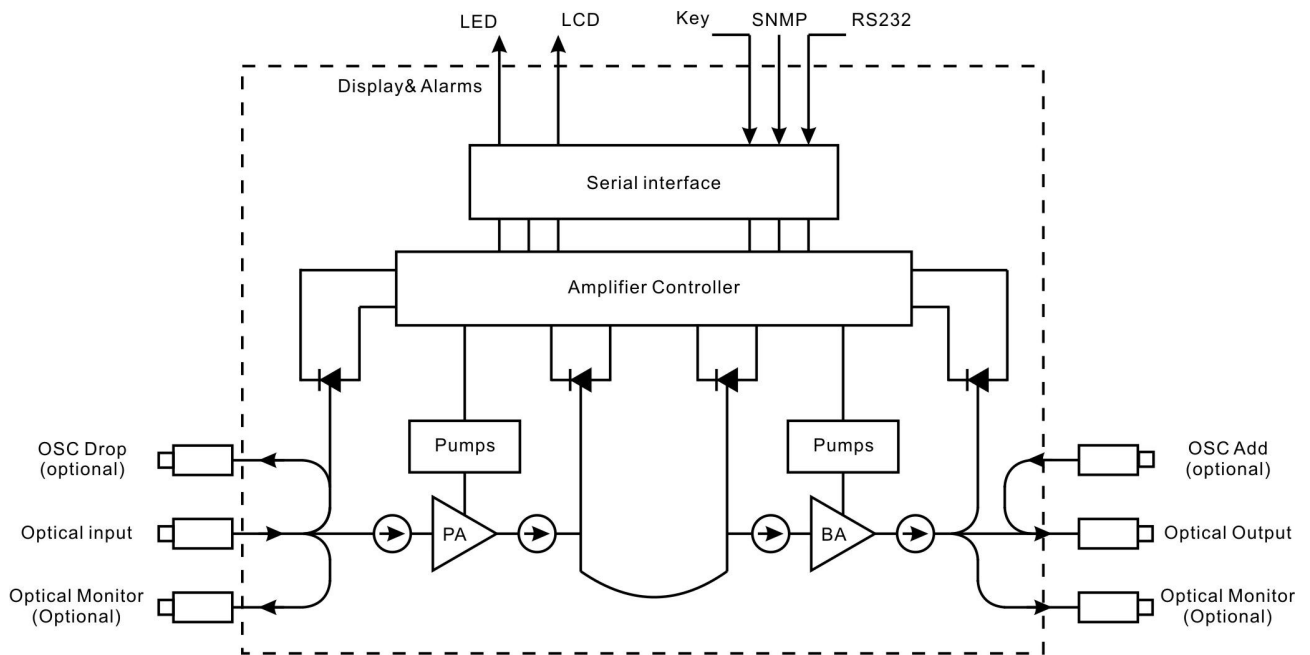
4: APC optional, return loss>50dB

6.0 SOFTWARE FUNCTIONS, MOITORS AND ALARMS

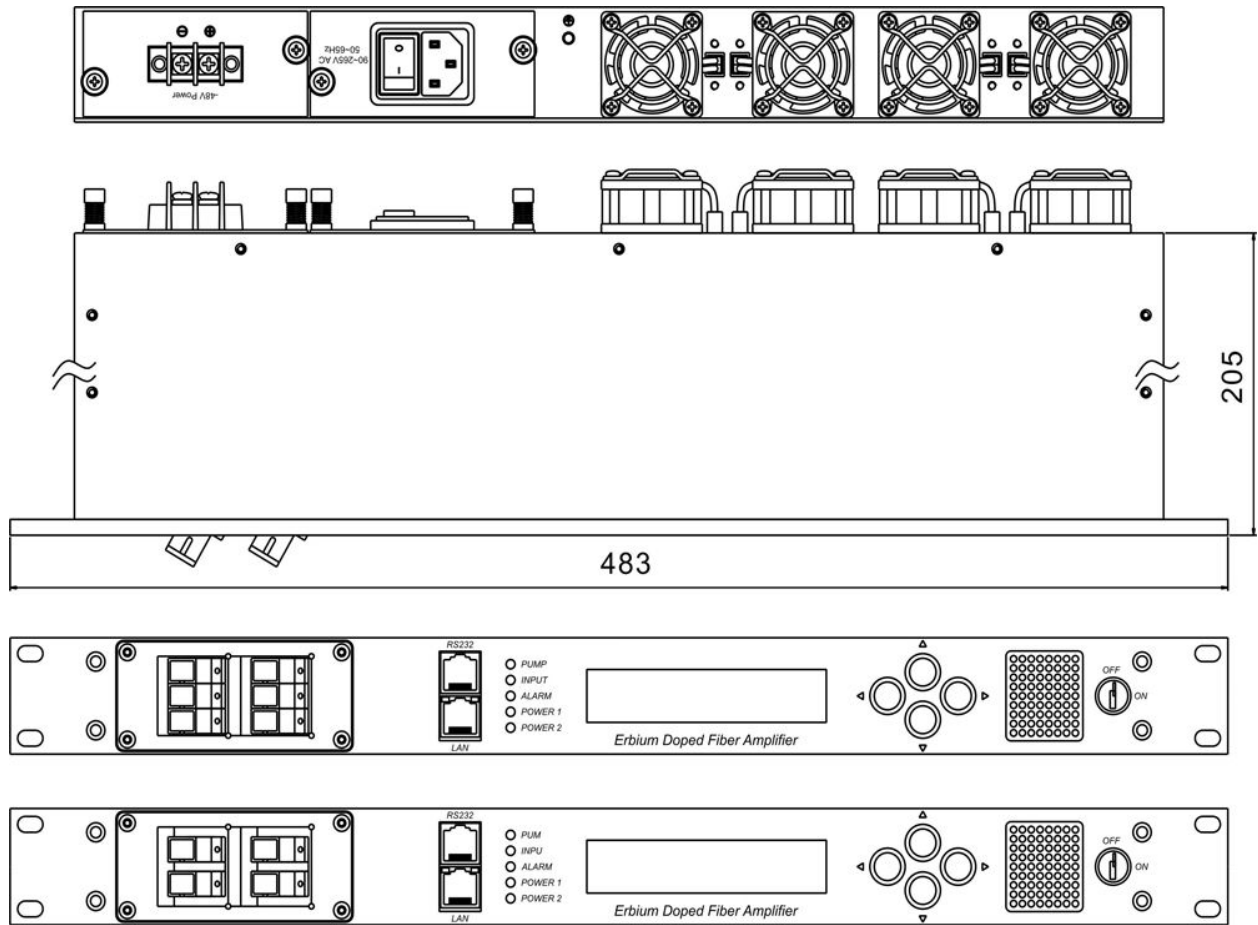
Functions	In Service Firmware Upgrades
	Auto Shut Down
	Gain Control Mode with Automatic Power limiting (VGA)
	Gain tilt Control
	Independent Stage Mode (on variants with Mid-Stage Access)
	Output Power Control Mode
	Pump Current Control Mode
	Eye-Safe Power Mode
	Non-Volatile Event Log
Monitors	Total Input Power
	Total Output Power
	Optical Backreflection
	Pump Status
	Chassis Tmperature
Alarms	Loss-of-Signal Alarm

	Low Output Power Alarm
	Chassis Temperature Alarm
	Pump Temperature Alarm
	Pump Bias Alarm
	Excess Backreflection Alarm (Optional)

7.0 OPTICAL ELECTRICAL SCHEMATIC



8.0 CHASSIS LENGTH



9.0 RODUCT SERISE

Model	Max. output power(dBm)	Gain range Typ.(dB)	Input power range Typ.(dBm)	Mid-stage loss range(dB)	Monitor optical port mode	OSC Optical port mode
HWA4518-G21-M00-S00	18	13~21.5	+3~-30	NC	1,MO (With output monitoring optical port) 2, MI (With input monitoring optical port) 3, MIO (With input and output monitoring optical port)	Without
HWA4518-G30-M00-S00		18~30	+3~-35			
HWA4518-G35-M00-S00		23~35	0~-35			
HWA4518-G40-M00-S00		28.5~40.5	+3~-30			
HWA4518-G25-M00-S00		12~26	0~26			
HWA4520-G30-M00-S00	20	18.5~30.5	+3~-35			
HWA4520-G35-M00-S00		23~35	0~-35			
HWA4520-G40-M00-S00		29~41	+3~-35			
HWA4520-G25-M00-S00		12~26	0~26			
HWA4523-G30-M00-S00	23	19~31	0~-35			
HWA4523-G35-M00-S00		25~37	0~-37			
HWA4523-G40-M00-S00		29~41	0~-40			
HWA4523-G25-M00-S00		12~26	0~26			
HWA4524-G35-M00-S00	24	25~37	0~-37			
HWA4524-G40-M00-S00		30.5~42.5	0~-40			

Note: 1), Optical port monitoring mode options:

- 1, MO (With output monitoring optical port)
- 2, MI (With input monitoring optical port)
- 3, MIO (With input and output monitoring optical port)

2), OSC optical port mode of optical management channel:

- 1, O00 不帶 OSC

OD (OSC/Drop)

- 2, OA (OSC/Add)
- 3, ODA (OSC/Drop & Add)

10.0 MODEL EXPLANATION

HWA 4 5 □□ - G□□ - D20 - □□ - □ / □□ - M□□ - O□□

Telecom DWDM EDFA	Operation wavelength		Product type		Max. Output power(dBm)		Gain Range Typ(dB)		Chassis Length		Connector		Power Mode		Power Supply		Monitor Optical ports options		OSC optical port options mode			
	4	C-Band (1528~1564)	5	VGA without MSA	18	18.5	21	13~21.5	D20	205mm	LP	LC/UPC	S	Single PS	22	220VAC	M00	Without Monitor optical ports	O00	Without OSC		
					20	20	30	18~30	D25	250mm	SP	SC/UPC	P	Dual PS Hot Plug	48	-48VDC			OD	OSC/Drop		
					23	23	35	23~35	D30	300mm	LA	LC/APC			42	-48VDC & 220VAC			MO	With output optical ports monitor	OA	OSC/Add
			24	24	40	29~41			SA	SC/APC					ODA	OSC/Drop & Add						
							25	12~26														
						7	VGA with MSA												MI	With input optical port monitor		
																	MIO	With input,output optical ports monitor				